

FALL EDITION

# Mitutoyo

## PRECISION EQUIPMENT



Effective October 1st - December 31st, 2024 while quantities last. Some items may not be exactly as shown & may be seen with extra accessories not included in the promo. All prices are in CAD. See website for more details and promotion updates.



FOLLOW US

Distributed By:



[www.omnitoool.ca](http://www.omnitoool.ca)

Email: [sales@omnitoool.ca](mailto:sales@omnitoool.ca)

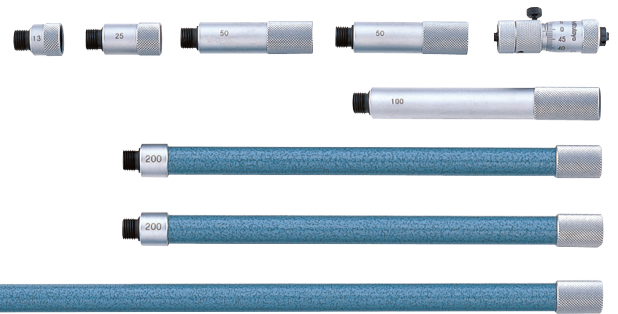
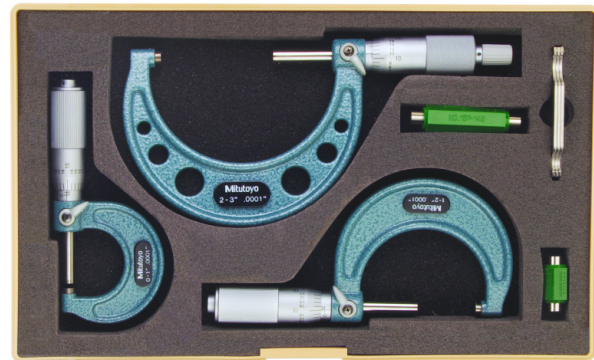
Toll Free: 1-800-265-3541

Tel: (519) 622-3065 | Fax: (519) 622-3270

284 Pinebush Road Unit 1, Cambridge ON N1T 1Z6

## Mechanical Micrometer

Micrometer Type	Graduation	Range	Order No.	Promo	Calibration
Mechanical	.001"	0 - 1"	103-177	\$120.65	\$54.00
Mechanical Set	.0001"	0 - 6"	103-907-40	\$1,080.15	\$479.00
Mechanical Set	.0001"	0 - 3"	103-922	\$505.08	\$224.00
Interchangeable Anvils	.001"	0 - 6"	104-137	\$505.08	\$285.00
Mechanical Blade	.0001"	1 - 2"	122-126-10	\$408.48	\$48.00
Depth Mechanical Interchangeable Rod	0.01mm	0 - 150mm	129-116	\$314.64	\$185.00
Depth Interchangeable Rod	.001"	0 - 6"	129-128	\$305.90	\$185.00
Tubular Inside Mechanical Extension Rod	0.01mm	50 - 1000mm	137-204	\$787.52	\$297.00
Inside Interchangeable Rod Type	.001"	2 - 8"	141-208	\$231.80	\$141.00
Mechanical Caliper Type	.001"	0 - 1"	143-121	\$555.68	\$54.00



Micrometer Stand Adjustable Angle Type	
Order No.	Promo
156-101-10	\$120.65





Micrometer 3" Setting Standard	
Order No.	Promo
167-143	\$34.04




## Digimatic Micrometer

Micrometer Type	Accuracy	Range	Order No.	Promo	Calibration
Digimatic QuantuMike, SPC IP65	.00005"	0 - 1"	293-180-30	\$343.16	\$54.00
Digimatic QuantuMike, IP65	.00005"	1 - 2"	293-186-30	\$337.64	\$54.00
Digimatic QuantuMike, IP65	.0001"	2 - 3"	293-187-30	\$402.96	\$54.00
Coolant-Proof Digimatic, IP65	.00005"	0 - 1"	293-348-30	\$248.40	\$54.00
Digimatic Screw Thread Interchange Anvil, SPC IP65	.0002"	0 - 1"	326-351-30	\$868.48	\$54.00
Digimatic Screw Thread Interchange Anvil, SPC IP65	.0002"	1 - 2"	326-352-30	\$918.16	\$54.00
Digimatic Depth Interchangeable Rod	.00015"	0 - 6"	329-350-30	\$769.12	\$185.00
Digimatic Point, SPC IP65	.0001"	0 - 1"	342-361-30	\$604.44	\$54.00
Digimatic Blade Micrometer, SPC IP54	.00015"	0 - 1"	422-330-30	\$1,016.60	\$54.00



Rotating Display Digimatic Micrometer Head with SPC			
Order No.	Range	Accuracy	Promo
164-164	0 - 2" / 0 - 50mm	0.00015"	\$1,198.76

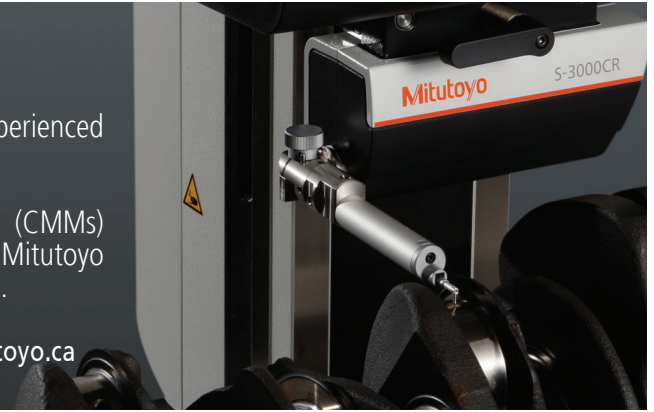


## CUSTOM SOLUTIONS

Along with Mitutoyo Canada's world-class products and services, our experienced team will work with you to integrate our products into your applications.

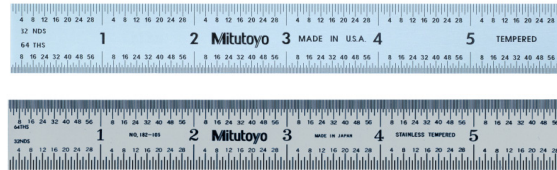
From Form Inspection equipment and Coordinate Measuring Machines (CMMs) to non-contact Vision Systems and other metrology instruments, Mitutoyo Canada can help develop a custom solution for your measurement needs.

For more information, please contact us at [TechnicalSalesSupport@mitutoyo.ca](mailto:TechnicalSalesSupport@mitutoyo.ca)



## Steel Rules

Rule Type	Order No.	Promo
3R Wide 6"	182-104	\$19.32
Wide 6"	182-105	\$19.00



## Individual 3-Point Digimatic Holtest SPC IP65

Range	Order No.	Promo	Calibration
1.6 - 2" / 40.64 - 50.8mm	468-269	\$1,671.64	\$63.00



## GET YOUR TOOLS FASTER WITH MITUTOYO CANADA

These programs make the time between purchasing & calibrating faster without compromising quality and maintaining an ISO/IEC 17025:2017 Accredited Certificate of Calibration.

For more information, please contact us at [calibration@mitutoyo.ca](mailto:calibration@mitutoyo.ca)

### Expedited Services:

- 1-DAY expedited calibration for small tools
- 5-DAY expedited calibration for small tools, reference gauges, & gauge block sets
- 5-DAY expedited repair for surfstest & linear height

### Calibrated Tools Program:

Pre-calibrated small tools (select calipers, micrometers, indicators, roughness specimens, & masterballs).

## Dial Type & Digimatic Indicators

Indicator Type	Accuracy	Range	Order No.	Promo	Calibration
Dial Compact	.001"	.25"	1410A-10	\$167.20	\$48.00
Dial	0.01mm	10mm	2046A	\$125.40	\$48.00
Dial Standard	.001"	1"	2416A-10	\$167.20	\$48.00
Dial Standard	.001"	1"	2416AB	\$141.68	\$48.00
Dial Standard	.001"	1"	2417A	\$160.55	\$48.00
Dial Test	0.001mm	0.14mm	513-401-10E	\$288.88	\$48.00
Digimatic ID-N, SPC IP66	.0005" / 0.01mm	.5" / 12.7mm	543-571	\$470.12	\$48.00



Dial Snap Gauge			
Range	Order No.	Promo	Calibration
5 - 6"	201-156	\$767.28	\$54.00



## Mechanical & Digitmatic Caliper

Caliper Type	Accuracy	Range	Order No.	Promo	Calibration
Digimatic Encoder Technology	0.001mm / .001"	0 - 6" / 0 - 150mm	500-160-30	\$406.64	\$54.00
Digimatic Encoder Technology	0.001mm / .001"	0 - 8" / 0 - 200mm	500-164-30	\$506.92	\$71.00
Digimatic with IP67	0.001mm / .001"	0 - 8" / 0 - 200mm	500-732-20	\$419.52	\$71.00
Digimatic with SPC IP67	0.001mm / .001"	0 - 6" / 0 - 150mm	500-762-20	\$322.92	\$54.00
Digimatic with SPC IP67	0.001mm / .0015"	0 - 12" / 0 - 300mm	500-764-20	\$699.20	\$90.00
Mechanical Dial	.001"	0 - 6"	505-740J	\$162.45	\$54.00
Mechanical Vernier	0.03mm	0 - 8" / 0 - 200mm	530-118	\$152.95	\$71.00
Digimatic Nib Style Jaws	0.001mm / .002"	0 - 24" / 0 - 600mm	550-225-10	\$1,394.72	\$158.00
Digimatic Carbon Fiber	0.01mm / .0005"	0 - 24" / 0 - 600mm	552-313-10	\$1,382.76	\$158.00
Digimatic Carbon Fiber	0.01mm / .0005"	0 - 40" / 0 - 1000mm	552-314-10	\$2,468.36	\$229.00
Digimatic Carbon Fiber	0.01mm / .0005"	0 - 80" / 0 - 2000mm	552-316-10	\$4,616.56	N/A



## Digimatic Borematic

Range	Order No.	Promo	Calibration
1 - 2"	568-930	\$3,991.88	\$312.00
1.6 - 2.0"	568-469	\$2,203.40	\$63.00

## Digimatic Height Gauge

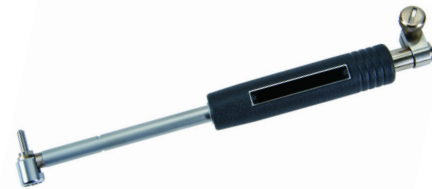
Gauge Type	Accuracy	Range	Order No.	Promo	Calibration
Standard	.002"	0 - 24" / 0 - 600mm	192-632-10	\$2,993.68	\$298.00
Multi-Function	.0015"	0 - 18" / 0 - 450mm	192-671-10	\$2,885.12	\$193.00

## Radius Gauge Set

Range	Order No.	Promo	Calibration
1/32 - 1/4"	186-101	\$50.60	\$89.00

## Mechanical Bore Gauge

Range	Order No.	Promo	Calibration
0.7 - 1.4"	511-731	\$340.40	\$109.00



## CONTRACT INSPECTION & PART PROGRAMMING

Have a complex prototype part? Looking for a more accurate measurement?  
Need a third-party to sort out a dispute?

The experts at Mitutoyo are ready for your toughest measurement challenge.

Want to get a new CMM up and running quickly?  
Need to maximize the efficiency of your equipment? Short on programmers?

From small revisions to major projects, the application engineers at Mitutoyo Canada that are here to help when you need programming assistance.

For more information, please contact us at  
[ContractInspectionTechnician@mitutoyo.ca](mailto:ContractInspectionTechnician@mitutoyo.ca)



## Linear Height LH-600FG

Description	Range	Resolution	Order No.	Promo	List
LH-600FG Inch/mm Power Grip Model	977mm (600mm) / 38" (24")	0.0001/0.001/0.01/0.1mm .0000001/.000001/.00001/.0001"	518-361-13	\$12,233.70	\$13,593.00

The highest accuracy height gage on the market is now even easier to use.

The Mitutoyo LH-600FG Linear Height Measurement System is the latest model in the Mitutoyo Linear Height Gage line, designed to be more user-friendly while maintaining the best-in-class reliability and accuracy of previous models.

### New Features:

- > Rotatable, adjustable touch screen interface.
- > New self-check feature.
- > High-accuracy encoder more resistant to contaminants.
- > Improved 2D mode.
- > Calibration date warning.
- > S1 Digimatic output capable of sending data directly to Excel®, wired or wirelessly.
- > Additional probe and extension options.



### Still Featuring:

- > Resolution down to 0.1µinch (selectable).
- > Highest accuracy in its class  $\pm (1.1+0.6L/600)$  µm.
- > Pneumatic full/semi-float system with built-in compressor.
- > Capable of standard measurements such as heights and diameters or advanced measurements like angles, diagonal distances and perpendicularity (optional probes may be required).
- > The Origin can be set at centerline positions, peaks of radii or simply on the surface plate or gage blocks.

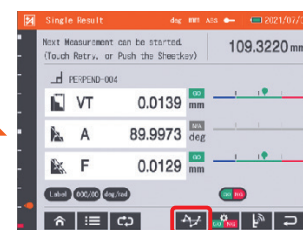


Power grip model also available for even easier positioning.

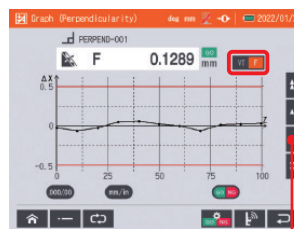
### Perpendicular/straightness measurement - Graph creation



Show results in real time during measurement.



Show results after measurement.



You can monitor the graphs of past measurement results.



Show measurement results in graph form.

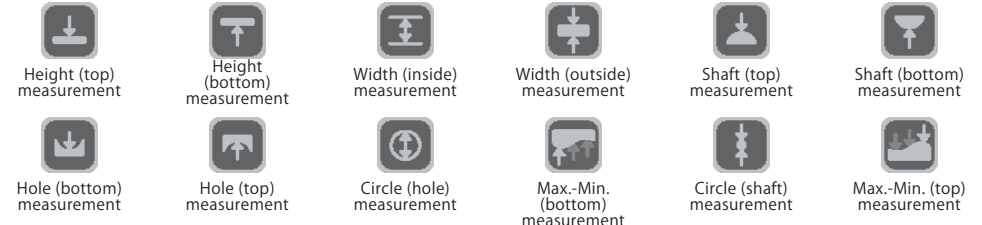
## Easy operation using keypad and touch screen navigation

Contextual guidance on the large-screen touch panel supports your measurements.



● Simple, straightforward keys with icons : Icons allow the user to find the required operation at a glance.

### Basic measurements



### Advanced measurement functions



### Measurement settings



### Other



### Touch panel with guidance

Measurement guidance is displayed on the large touch panel of the 8.4-inch color LCD, enabling intuitive operation.



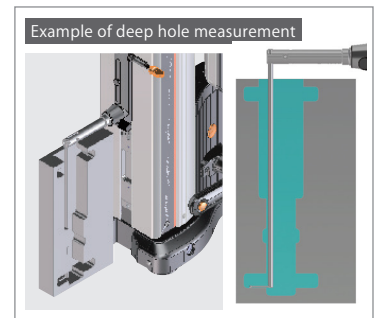
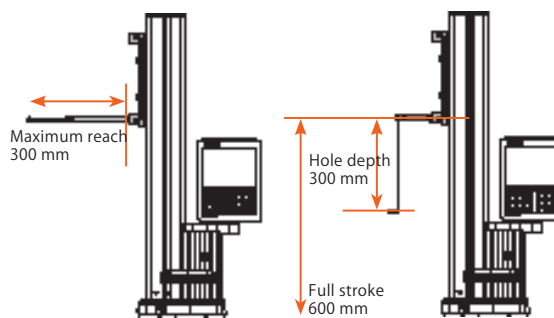
Guidance screen



Operable with gloves

### Expanded measurement area

With the new optional probes, you can now measure areas that were beyond the capacity of conventional probes.



We reserve the right to change prices and specifications without notice. Visit [mitutoyo.ca/promotions](http://mitutoyo.ca/promotions) to ensure pricing is up to date. Not valid with any other offer or promotion. This promotion is for Canadian market only. Request formal quotation for complete details.

Note: All information regarding our products, and in particular the illustrations, drawings, dimensional and performance data contained in this printed matter as well as other technical data are to be regarded as approximate average values. We reserve the right to make changes to the corresponding designs. The stated standards, technical regulations, descriptions and illustrations of the products were valid at the time of printing. In addition, the products are subject to Canadian Export Administration Regulations. Re-export or relocation of Mitutoyo products may require prior approval by an appropriate governing authority.

We try to be as accurate as possible, however, there may be some errors in text, specifications or price. Please confirm with your customer service rep. Some items may not be exactly as shown. Prices are in Canadian dollars, unless otherwise specified. Applicable taxes and shipping charges are extra.

# Mitutoyo

Mitutoyo Canada | Precision is our Profession

## EXPERIENCE MITUTOYO M<sup>3</sup> SOLUTION CENTERS

Mississauga ON  
2121 Meadowvale Blvd., Mississauga, ON L5N 5N1  
Tel. (905) 821-1261

Montréal QC  
#129-7075 place Robert-Joncas, Montréal, QC H4M 2Z2  
Tel. (514) 337-5994 Ext. 251

[www.mitutoyo.ca](http://www.mitutoyo.ca) [info@mitutoyo.ca](mailto:info@mitutoyo.ca)